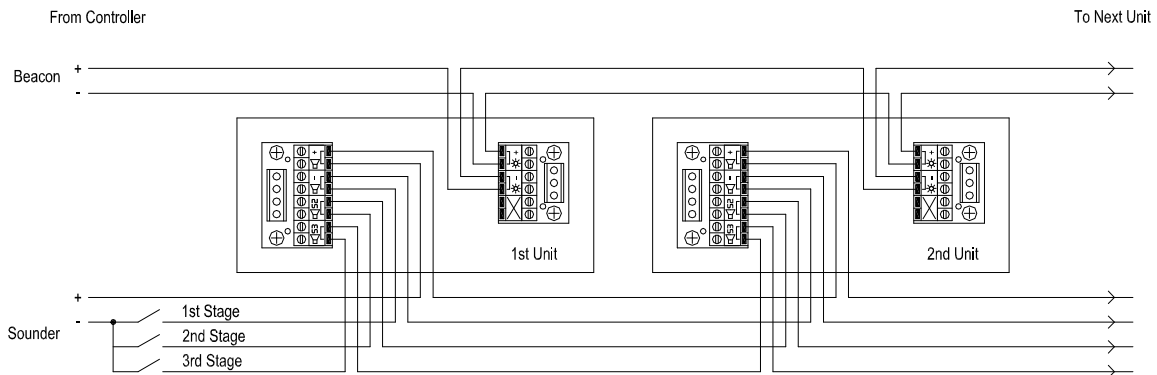


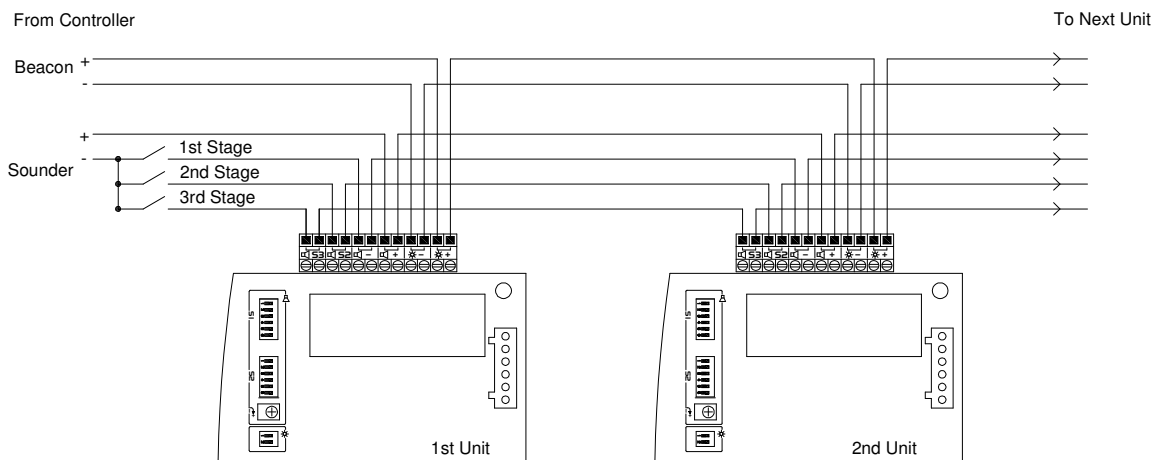


Nexus Wiring Diagrams

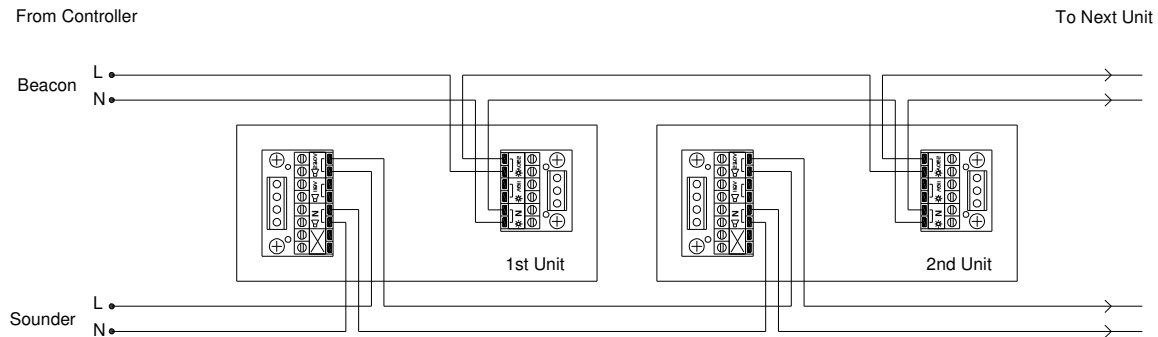
1. Nexus 105 10-60V DC



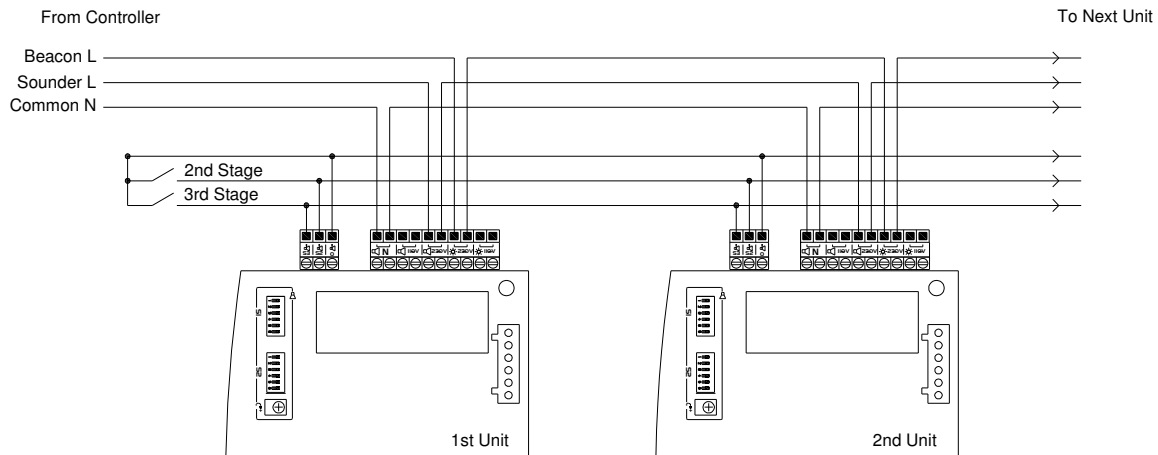
2. Nexus 110 & Nexus 120 10-60V DC



3. Nexus 105 110/230V AC



4. Nexus 110 & Nexus 120 110/230V AC



5. General

- a) When using an 110V AC supply rather than 230V connect Live to terminals marked 110V instead of terminals marked 230V.
- b) Nexus 105 AC model does not have provision for multi-stage signalling.
- c) Connections for optional Xenon and LED beacons are the same.
- d) These wiring diagrams should be used in conjunction with the installation guide supplied with the products. The installation guide provides full details of the product specification, installation and controls.