

Nexus Voice Sounder (AC)

Nexus voice sounders combine normal sounder signals with a clear, synchronised voice message to help reduce confusion and distress during an active alarm.

Standard units are available with 4 pre-programmed messages, selected from an extensive message library covering almost any conceivable application. Bespoke messages are also available on request.

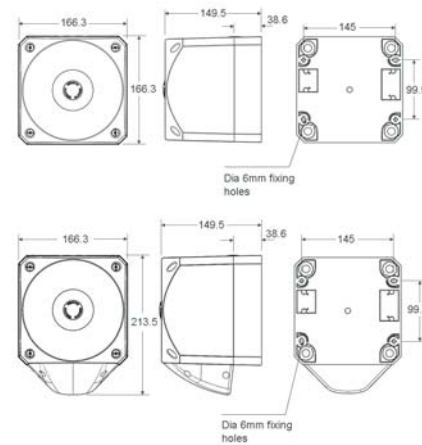
All Nexus voice sounders have a USB interface that allows special messages in WAV format to be downloaded onto the sounder from any PC, providing users with the flexibility of adding/removing messages in-house.

Features

- Choice of up to 4 messages
- Extensive message library or bespoke messages available
- Download messages in-house via built in USB port
- 110dB (A) tone and 90dB (A) message outputs
- Automatic synchronisation
- Robust construction; IP66 rated for outdoor environments
- Volume control - 20dB
- Sounder and beacon can be controlled separately



Applications - Industrial alarm, Process control alarm



- Fire
- Security
- Industrial
- Railway/Marine
- Hazardous Area
- Public Warning

Specifications

Part No.	Colours	Audibility at 1m (typical)	Tones (Up to)	Voltage (50/60Hz)	Current Sounder	Current Beacon	Messages
18-980784	Red	Up to 110dB (A)	64	110/230V AC	30mA (max)	-	4
18-980785	Red body Red lens, Xenon beacon	Up to 110dB (A)	64	110/230V AC	30mA (max)	70mA	4
18-980786	Red body Amber lens, Xenon beacon	Up to 110dB (A)	64	110/230V AC	30mA (max)	70mA	4
18-980787	Red body Green lens, Xenon beacon	Up to 110dB (A)	64	110/230V AC	30mA (max)	70mA	4
18-980788	Red body Blue lens, Xenon beacon	Up to 110dB (A)	64	110/230V AC	30mA (max)	70mA	4
18-980789	Red body Clear lens, Xenon beacon	Up to 110dB (A)	64	110/230V AC	30mA (max)	70mA	4

IP Rating: IP66 Rating: Continuous Frequency: See Tone Table Operating Temp: -25°C to +55°C
 Cable Entries: 5 Weight: Sounder 1.1kg; Sounder Beacon 1.2kg