

# Beacons

## Sonos Xenon Beacon (2J)



### Features

- 2J xenon beacon
- Low current consumption
- First fix installation
- Weatherproof to IP65 (Deep base variant)
- Synchronised flash

### Overview

A general purpose beacon for fire, security and industrial applications.

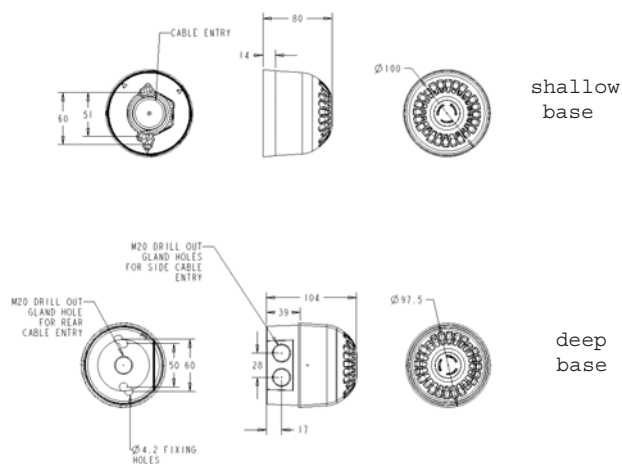
With the TimeSaver base, connections are made to the base during the initial wiring phase which results in faster and more reliable installation. The beacon head 'twists and clicks' into the base on commissioning, avoiding the wiring and connection problems associated with traditional alarm sounders.

The Sonos Beacon utilises a full faced, translucent case which provides a much larger lens area and a greater spread of light.

- Fire
- Railway/Marine
- Security
- Hazardous Area
- Industrial
- Public Warning

### Applications

- Fire; security; industrial alarm



Part No.	Base	Colours	Voltage	Current
18-980803	shallow red base	red lens	10-60V DC	130 mA at 24V DC
18-980791	deep red base	red lens	10-60V DC	130 mA at 24V DC
18-980804	shallow red base	amber lens	10-60V DC	130 mA at 24V DC
18-980794	deep red base	amber lens	10-60V DC	130 mA at 24V DC
18-980805	shallow red base	clear lens	10-60V DC	130 mA at 24V DC
18-980793	deep red base	clear lens	10-60V DC	130 mA at 24V DC

\* Beacons are also available with white bases.

**IP Rating:** IP65 (deep base) **Operating Temp:** -25°C to +55°C **Weight:** 215g (shallow base) 250g (deep base)  
**Construction:** Flame Retardant Polycarbonate **Cable Entries:** 2 x 20mm cable glands (deep base)