



Klaxalarm Terrier (18-980181)

Battery Operated Stand Alone Fire Alarms

Installation Instructions

1. General
2. Installation
3. Operation, Testing and maintenance
4. Tone and Sound Level Adjustment
5. Connecting External Manual Call Points
6. Interlinking Multiple Units

1. General

Klaxalarm is a primary battery (LR14 C Cells qty 6) operated self-contained fire alarm. The intended use is for protection of small or temporary buildings.

The Terrier Klaxalarm incorporates a re-settable manual call point and an electronic sounder with a choice of three tones. The products may be interlinked with a 3 core cable so that if one unit is activated all the other units will sound simultaneously. Additional Manual Call Points can also be connected to the units.

2. Installation

Use three screws at the rear of the Klaxalarm (not supplied)

3. Operation, Testing and Maintenance

The unit is ready for operation as soon as the battery is connected. The unit should be periodically tested for correct operation.

To test the alarm, simply press the centre of the transparent plastic window of the call point. The alarm should sound and a yellow indicator appears in the window to show that the call point has been activated.

The unit is reset after an alarm or test by inserting the black plastic key in the slot on the front of the unit and turning clockwise. The yellow indicator disappears when the unit has reset.

Each unit will operate in the standby mode for over twelve months. A low battery warning beep is emitted when the battery starts to fail. Ensure the battery is replaced promptly to ensure continued protection.

4. Tone and Sound Level Adjustment

The Terrier model incorporates 3 user selectable tones. In order to change the tone setting the front cover of the electronic sounder within the Klaxalarm must be removed by undoing the two fixing screws. The tones are selected as follows:

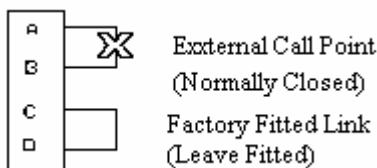
Tone	Black Lead	Jumper
Continuous	Cont (-) Terminal	Leave in factory setting
Warble	Tone (-) Terminal	Leave in factory setting
Alternating	Tone (-) Terminal	Change position

The sound level can be reduced by changing the setting of the potentiometer on the siren PCB.

5. Connecting External Manual Call Points

NOTE: For correct operation with external manual call points it is essential to use a call point with a **NORMALLY CLOSED CONTACT** (i.e. an opening contact or changeover contact). We strongly recommend the use of Klaxon Manual Call Point Model No. 17-970073 to ensure correct operation.

The normally closed terminals of the call point should be connected to terminals A and B in the Klaxalarm using two core cable. The factory fitted link between the terminals A and B in the Klaxalarm must be removed. Several normally closed manual call points can be connected in a series loop between these terminals if desired.

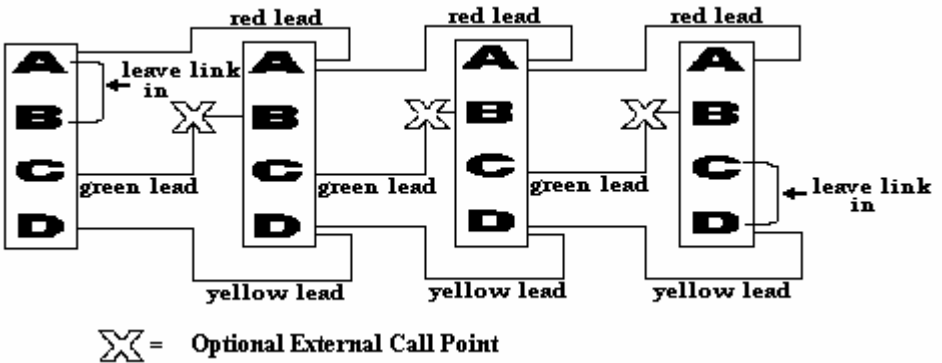


6. Interlinking Multiple Units

Multiple units can be interlinked and/or connected to external manual call points using three core cable as in the example wiring diagram below.

NOTE: For correct operation with external manual call points it is essential to use a call point with a **NORMALLY CLOSED CONTACT** (i.e. opening contact or changeover contact). We strongly recommend the use of Klaxon Manual Call Point Model No. 17-970073 to ensure correct operation.

If an external call point is not required a direct connection must be made from terminal C in the first unit to terminal B in the next unit and so on. Standard telecom type multi-core cable can be used.



7. Contacting Klaxon

Klaxon Signals Ltd
Wrigley St
Oldham
England
OL4 1HW

Technical Helpline: +44 (0) 161 287 4029
Sales Hotline: +44 (0) 161 287 5555
Fax: +44 (0) 161 287 5511
E-mail: sales@klaxonsignals.com
Web: www.klaxonsignals.com