

Bells

Fire Bell (Weatherproof)



Features

- Low current consumption
- Universally recognisable sound
- Diode polarised
- Choice of gong sizes (6" and 8")
- Approved to EN54 part 3
- Weatherproof to IP33 C

Overview

The Klaxon Fire Bell is a motorised bell designed for fire alarm applications. Its low current consumption and universally recognisable alarm sound makes it an ideal choice for many alarm systems.

Designed for ease of installation, it features a robust steel gong.

Units are finished in red and are available in two gong sizes: 6" and 8".

Depending on quantity, labels can be branded with a customer's name and logo.

- Fire
- Railway/Marine
- Security
- Hazardous Area
- Industrial
- Public Warning

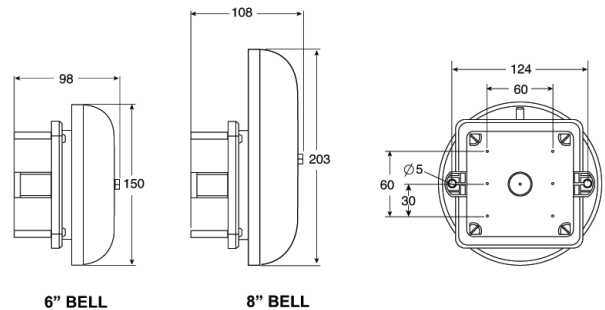
Applications

- Fire alarm; emergency alarm; lift alarm

Weatherproof

NOTE: MOUNTING HOLES ARE PROVIDED FOR BESA OR DIRECT WALL MOUNTING

NOTE: ALL MOUNTING HOLE DIMENSIONS FOR THE 8" BELL ARE THE SAME AS THE 6" BELL



Part No.	Gong Size	Colours	Audibility at 1m	Tones	Voltage	Current
18-980853 Weatherproof	6"	Red	Up to 98dB (A)	1	19-28V DC	20mA
18-980854 Weatherproof	8"	Red	Up to 98dB (A)	1	19-28V DC	20mA

IP Rating: IP33C Rating: Continuous Frequency: N/A Operating Temp: -25°C to +70°C

Dome Construction: Steel Weight: 0.92kg (6") & 1.27kg (8") Compliance: EN54 3