

Beacons

Sonos Xenon Beacon (5J)



Features

- High output 5J xenon beacon
- 10-60V DC or 110/230V AC
- Simple 'First Fix' installation
- Weatherproof to IP65
- Synchronised flash (DC version)
- Single/double flash (DC version)

Overview

A general purpose, high output xenon beacon designed for fire, security and industrial applications.

Sonos xenon beacons are weatherproof to IP65 and can be used in all locations both indoors and outdoors.

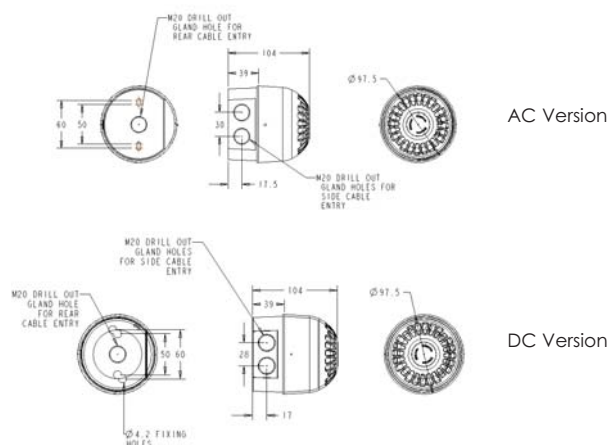
The Sonos xenon beacon unit utilises a full faced, translucent case rather than a separate add on beacon giving a much larger lens area. This results in a far greater light spread for more effective warning.

Sonos beacon units can be specified with a red or white base, complete with a red, amber or clear lens as standard.

- Fire
- Railway/Marine
- Security
- Hazardous Area
- Industrial
- Public Warning

Applications

- Fire; security; industrial alarm



Part No.	Colours	Audibility at 1m	Tones	Voltage	Current
18-980482 (deep base)	Red base, red lens	N/A	N/A	110/230V AC	70mA
18-980483 (deep base)	Red base, amber lens	N/A	N/A	110/230V AC	70mA
18-980583 (deep base)	Red base, clear lens	N/A	N/A	110/230V AC	70mA
18-980584 (deep base)	Red base, red lens	N/A	N/A	10-60V DC	250 (ave)
18-980585 (deep base)	Red base, amber lens	N/A	N/A	10-60V DC	250 (ave)
18-980586 (deep base)	Red base, clear lens	N/A	N/A	10-60V DC	250 (ave)

IP Rating: IP65 Rating: N/A Frequency: N/A
Construction: Flame Retardant Polycarbonate

Operating Temp: -25°C to +55°C
Cable Entries: 2 x 20mm cable glands Weight: 250g