

Ancillary Equipment

Voltage Boosting Base



Features

- Boosts operating voltage
- 7dB (A) increase in sound output
- Compatible with security systems
- Weatherproof to IP65

Overview

The Voltage Boosting base forms part of the Sonos range of sounders, beacons and combined sounder beacons.

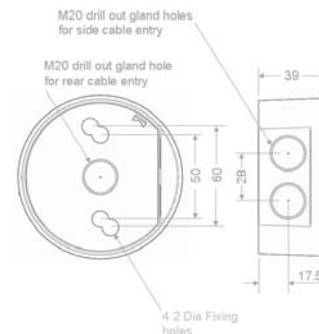
When used with a Voltage Boosting base the Sonos beacons and combined sounder beacons can operate on a supply as low as 9V. This in effect increases the operating voltage range from 17-60V DC to 9-60V DC for a wider range of applications.

Furthermore, the Voltage Boosting base increases the sound output of the Sonos sounder by 7dB, more than doubling the sound coverage.

The bases are available in either red or white, and IP65 rated for weatherproof warning.

Applications

- Safety; industrial alarm



- Fire
- Security
- Industrial
- Railway/Marine
- Hazardous Area
- Public Warning

| Part No. | Colour | Audibility at 1m | Tones | Voltage | Current |
|-----------|--------|------------------|-------|-----------|---------|
| 18-980873 | Red | Up to 102dB (A) | 32 | 9-28 V DC | 50mA |

IP Rating: IP65 Operating Temp: -25°C to +70°C Weight: 0.2Kg Construction: High Impact Polycarbonate
Cable Entries: 2x20mm cable gland