

Ancillary Equipment

Remote Indicator



Features

- For use with either conventional or addressable detectors
- Sleek design
- High intensity LEDs
- Wide operating voltage range

Overview

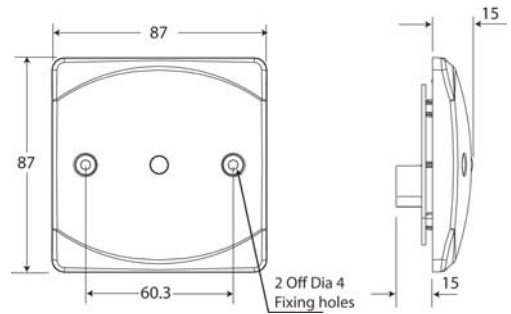
The remote indicator unit has been designed for use with either conventional or addressable smoke or heat detectors. The device is used to indicate detection operation in remote or in-accessible locations such as ceiling voids. The unobtrusive low profile sleek design is an attractive warning tool for any type of location.

The wide operating voltage range means that these devices can also be used as a visual indicator in security, process control and other general signalling applications.

Units are available with or without 'Fire Detector Operated' text.

Applications

- Fire; security; process control



- Fire
- Security
- Industrial
- Railway/Marine
- Hazardous Area
- Public Warning

Part No.	Colours	Audibility at 1m	Tones	Voltage	Current (24V DC)
18-980843	White (Unprinted)	N/A	N/A	5 - 28V DC	24mA
18-980856	White (Printed)	N/A	N/A	5 - 28V DC	24mA

IP Rating: Indoor Operating Temp: -10°C to +55°C Construction: ABS Weight: 50g