

# Hand Operated Sirens

## Lightweight Hand Operated Siren



### Features

- No power supply required
- Lightweight model for portability
- Powerful low frequency sound
- Universally recognised signal
- Carry case included
- 2 tones: continuous and warble
- 116 dB @ 1 metre

### Overview

The lightweight hand operated siren is designed to provide effective warning in applications where there is no power supply such as camp sites, civil defence, mountain rescue and coast guard warning.

The siren is lightweight, can be easily transported to remote locations and folds up to a small and compact size for ease of handling.

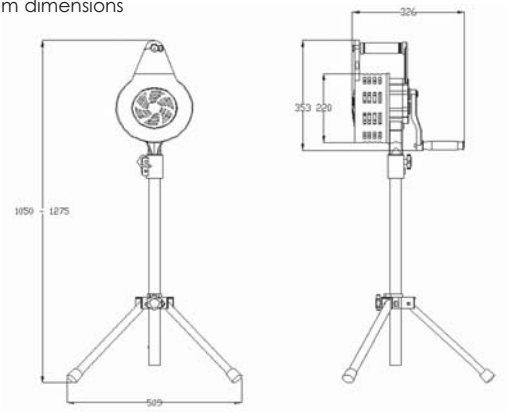
This model comes complete with carry case, making it the ideal choice where portability is crucial.

- Fire
- Railway/Marine
- Security
- Hazardous Area
- Industrial
- Public Warning

### Applications

- Camp sites; civil defence; mountain rescue; coast guard warning

Maximum dimensions



Stand height: max 1m, min 0.6m  
When folded: height 0.2m, base tripod 0.03m x 0.03m x 0.03m

Part No.	Colours	Audibility at 1m	Tones	Voltage	Current
17-970322	Black	Up to 116dB (A)	2	N/A	N/A

IP Rating: N/A Rating: Continuous Frequency: 600Hz Nominal (Dependent on Rotation Speed)  
Dimensions: See Diagram Weight: 4kg