

Buzzers

P40 and P60 Buzzers



Features

- High sound output
- Wide voltage range
- Choice of continuous or pulsed signals
- Compact designs for installation in all locations

Overview

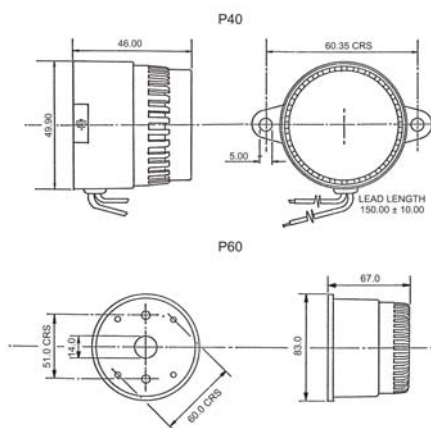
The P40 and P60 Buzzers are high output buzzers designed for warning in security, fire, automotive and industrial signalling.

With a choice of two signals (continuous or pulsed) from each unit, they are ideal for use as panel warning sounders where an additional signal may be required.

- Fire
- Railway/Marine
- Security
- Hazardous Area
- Industrial
- Public Warning

Applications

- Process control alarm; panel alarm in automotive and aerospace applications; moving machinery alarm



Part No.	Colours	Audibility at 1m	Tones	Voltage	Current
17-970040	White	Up to 95 dB (A)	2	12/24V DC	40mA
17-970041	White	Up to 100 dB (A)	2	12/24V DC	47mA

IP Rating: IP30 Rating: Continuous Frequency: 3200Hz Operating Temp: -20°C to +60°C
 Construction: ABS Cable Entries: Flying Lead Weight: P40 - 57g; P60 - 94g