

## TECHNICAL SPECIFICATION

SUPPLY VOLTAGE DC	24 V DC
STARTING CURRENT (Nominal)	19.5 A
RUNNING CURRENT (Nominal)	8 A

## GENERAL

The siren will operate in any orientation. In outdoor use, or where water may drip onto it, then siren must be mounted vertically with the impellor downwards, and the supply cable entry point must be watertight.

**WARNING:** The siren generates very high sound levels and contains rotating parts. Mount the unit at least 1.5m clear of normally accessible areas.

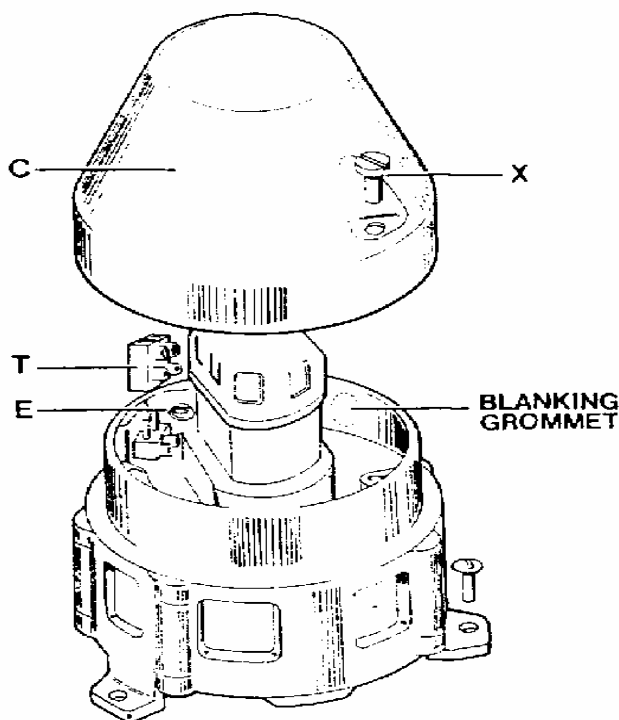
## INSTALLATION

Position the siren with the supply entry in a convenient position and fix the unit with three 6mm screws fitted with “Shakeproof” washers.

Unscrew the three locating screws (X) and remove the motor cover (C). Remove the blanking grommet and bring the supply wires into the siren case. The supply wires should be cut to 110mm length inside the case.

Separate the terminal socket (T) from the plug and connect the supply wires to the socket.

Replace the socket, locate the motor cover (C) and tighten the screws (X) firmly.



COVER/CAP	(C)
SCREWS	(X)
TERMINAL BLOCK	(T)
EARTH	(E)