

# Voice Enhanced Sounders

## Nexus Voice Sounder (AC)



### Features

- Choice of up to 4 messages
- Extensive message library or bespoke messages available
- Download messages in-house via built in USB port
- 110dB (A) tone and 90dB (A) message outputs
- Automatic synchronisation
- Robust construction; IP66 rated for outdoor environments
- Volume control - 20dB
- Sounder and beacon can be controlled separately

### Overview

Nexus voice sounders combine normal sounder signals with a clear, synchronised voice message to help reduce confusion and distress during an active alarm.

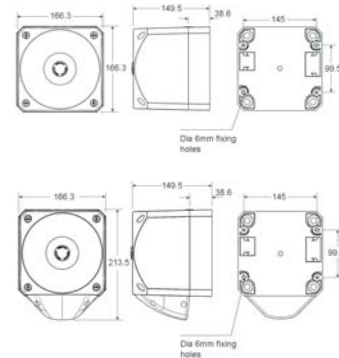
Standard units are available with 4 pre-programmed messages, selected from an extensive message library covering almost any conceivable application. Bespoke messages are also available on request.

Combined with a xenon beacon the Nexus sounder is DDA compliant giving a clear voice message, powerful alarm tone and high output beacon for clear and effective warning.

All Nexus voice sounders have a USB interface that allows special messages in WAV format to be downloaded onto the sounder from any PC, providing users with the flexibility of adding/removing messages in-house.

### Applications

- Industrial alarm, Process control alarm



- Fire
- Railway/Marine
- Security
- Hazardous Area
- Industrial
- Public Warning

Part No.	Colours	Audibility at 1m (typical)	Tones (Up to)	Voltage (50/60Hz)	Current	
					Sounder	Beacon
18-980784	Red	110dB (A)	64	110/230V AC	30mA (max)	
18-980785	Red body Red lens, Xenon beacon	110dB (A)	64	110/230V AC	30mA (max)	70mA
18-980786	Red body Amber lens, Xenon beacon	110dB (A)	64	110/230V AC	30mA (max)	70mA
18-980787	Red body Green lens, Xenon beacon	110dB (A)	64	110/230V AC	30mA (max)	70mA
18-980788	Red body Blue lens, Xenon beacon	110dB (A)	64	110/230V AC	30mA (max)	70mA
18-980789	Red body Clear lens, Xenon beacon	110dB (A)	64	110/230V AC	30mA (max)	70mA

IP Rating: IP66   Rating: Continuous   Frequency: See Tone Table   Operating Temp: -25°C to +55°C  
 Cable Entries: 5   Weight: Sounder 1.1kg; Sounder Beacon 1.2kg