

# Voice Enhanced Sounders

## Sonos Voice Sounder



### Features

- Choice of up to 3 messages
- Extensive message library or bespoke messages available
- Automatic synchronisation
- 106dB (A) tone and 80dB (A) message outputs
- Easily retro-fits to existing installations
- Capable of transmitting up to 4 messages over two wires via an interface control unit

### Overview

Sonos voice sounders combine normal sounder signals with a clear, synchronised voice message to help reduce confusion and distress during an active alarm.

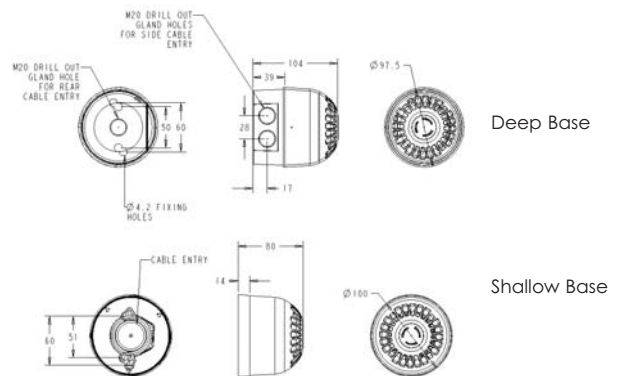
Standard units are available with 3 pre-programmed messages, selected from an extensive message library covering almost any conceivable application. Bespoke messages are also available on request.

These sounders can be used in small to medium fire alarm system installations where up to four messages can be transmitted over two wires via an interface control unit. (See separate datasheet.)

Both Sonos voice enhanced variants are available as sounders or sounder-beacons in either red or white, with shallow or deep base (IP65) options for indoor and outdoor applications.

### Applications

- Fire alarm



- Fire
- Security
- Industrial
- Railway/Marine
- Hazardous Area
- Public Warning

Part No.	Colours	Audibility (tone) at 1m	Tones (tone dependent)	Voltage	Current (tone dependent)
18-980751 (shallow base)	Red	Up to 106dB (A)	32	24V DC	26mA (max)
18-980750 (deep base)	Red	Up to 106dB (A)	32	24V DC	26mA (max)
18-980753 (shallow base)	White	Up to 106 dB (A)	32	24V DC	26mA (max)
18-980752 (deep base)	White	Up to 106 dB (A)	32	24V DC	26mA (max)
18-980754 (deep base)	Red base, red lens	Up to 106 dB (A)	32	24V DC	30mA (max)
18-980755 (shallow base)	Red base, red lens	Up to 106 dB (A)	32	24V DC	30mA (max)
18-980756 (deep base)	White base, clear lens/red LED	Up to 106 dB (A)	32	24V DC	30mA (max)
18-980757 (shallow base)	White base, clear lens/red LED	Up to 106 dB (A)	32	24V DC	30mA (max)
18-980790	Voice Message Interface Unit - Fire Alarm Systems				

**IP Rating:** IP65 **Rating:** Continuous **Frequency:** 400-2850Hz **Operating Temp:** -25°C to +70°C  
**Construction:** Flame Retardant Polycarbonate **Cable Entries:** Deep Base: 2 x 20mm cable glands  
**Weight:** 215g (shallow base) 250g (deep base) **Compliance:** EN60950