

# Beacons

## Sonos LED Beacon (DC)



### Features

- Low current LED beacon
- Simple 'First Fix' installation (no second fix wiring)
- Quick connect/disconnect
- Weatherproof to IP65 (deep base units)
- High efficiency LED beacon consumes less than 5mA

### Overview

A general purpose beacon for fire, security and industrial applications.

With the TimeSaver base, connections are made to the base during the initial wiring phase which results in faster and more reliable installation. The beacon head 'twists and clicks' into the base on commissioning, avoiding the wiring and connection problems associated with traditional alarm sounders.

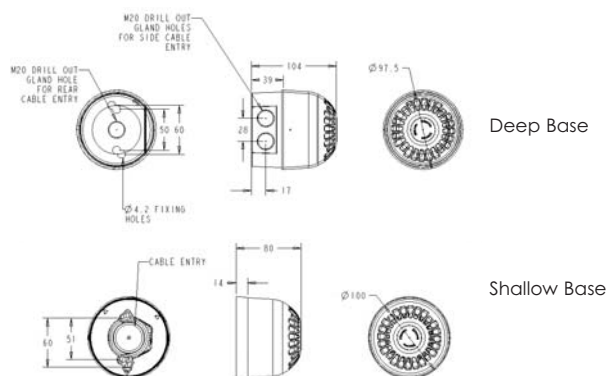
Deep base units have weatherproof protection to IP65 and can be used in all locations both indoors and outdoors.

The Sonos Beacon utilises a full faced, translucent case which provides a much larger lens area and a greater spread of light.

Sonos Beacon units have a red colour base as standard and are available with a red or amber lens.

### Applications

- Fire; security; industrial alarm



- Fire
- Security
- Industrial
- Railway/Marine
- Hazardous Area
- Public Warning

Part No.	Colours	Audibility at 1m	Tones	Voltage	Current
18-980507 (shallow base)	Red base, red lens	N/A	N/A	17-60V DC	5mA
18-980510 (shallow base)	Red base, amber lens	N/A	N/A	17-60V DC	5mA
18-980508 (deep base)	Red base, red lens	N/A	N/A	17-60V DC	5mA
18-980511 (deep base)	Red base, amber lens	N/A	N/A	17-60V DC	5mA

**IP Rating:** IP65 (deep base) **Rating:** Continuous **Frequency:** 400-2850Hz **Operating Temp:** -25°C to +70°C  
**Construction:** Flame Retardant Polycarbonate **Cable Entries:** 2 x 20mm cable glands (deep base)  
**Weight:** 215g (shallow base) 250g (deep base)