

Sounders

Nexus Sounder (DC)



Features

- 105dB, 110dB and 120dB sound output variants
- Quarter turn fasteners for ease of installation
- First-fix, wire to base technology
- IP66 rated
- Volume control for greater flexibility - 20dB
- Three alarm stages
- Vds approved

Overview

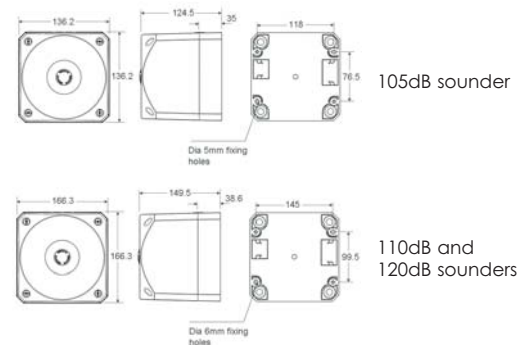
The Nexus sounder is designed for industrial, fire and marine use.

Connections are made to the base during the initial wiring phase which results in faster and more reliable installation. In addition, the head "clicks into place" and is fixed by quarter turn fasteners avoiding the need to screw up four individual screws thus enabling faster installation and accurate seal compression for weatherproofing.

IP66 as standard means that Nexus can be installed in almost any location.

Applications

- Fire alarm; conveyors; process control alarm; cranes; moving machinery; general signalling; marine



- Fire
- Security
- Industrial
- Railway/Marine
- Hazardous Area
- Public Warning

Part No.	Colours	Audibility at 1m (tone dependent)	Tones	Voltage	Current
18-980542	Red	105dB (A)	64	10-60V DC	8-40mA
18-980554	Red	110dB (A)	64	10-60V DC	10-50mA
18-980545	Red	120dB (A)	64	10-60V DC	120-550mA

IP Rating: IP66 Rating: Continuous Frequency: See Tone Table Operating Temp: -25°C to +70°C
 Cable Entries: 5 Weight: 105dB Sounder - 0.7kg; 110dB Sounder -1.1Kg; 120dB Sounder -1.8Kg
 Compliancy: EN54-3 TYPE B